

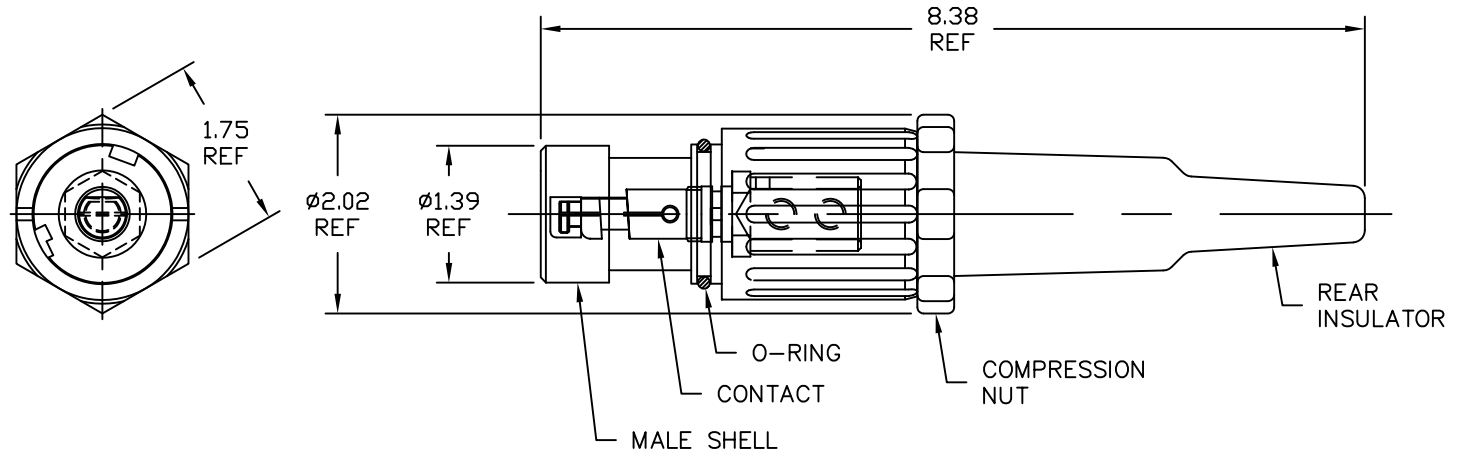
S-00203

REVISIONS


REV	DESCRIPTION	DATE
A	INITIAL RELEASE	10/20/10

MAX ELECTRICAL RATING:
 600 VOLTS
 200 AMPS
 CABLE SIZE: #2-2/0

PART NO.	COLOR
E0200-181	GREEN
E0200-182	WHITE
E0200-183	BLACK
E0200-184	RED
E0200-185	BLUE
E0200-186	YELLOW
E0200-187	BLACK
E0200-192	YELLOW
E0200-195	ORANGE
E0200-199	BROWN



CUSTOMER DRAWING
 FOR REFERENCE ONLY

	4758 Washington Street LaGrange, NC 28551		TITLE: E0200 MALE PLUG ASSEMBLY WITH DOUBLE SET SCREW STYLE CONTACT	
	THIS DOCUMENT CONTAINS CONFIDENTIAL AND TRADE SECRET INFORMATION WHICH IS THE PROPERTY OF COOPER INTERCONNECT, A DIVISION OF COOPER INDUSTRIES, INC. AND RECEIPT OR POSSESSION DOES NOT CONVEY ANY RIGHTS TO LOAN, SELL, OR OTHERWISE DISCLOSE SAID INFORMATION. REPRODUCTION OR USE OF SAID INFORMATION FOR ANY PURPOSE OTHER THAN THAT IN CONNECTION WITH WHICH SAID INFORMATION WAS SUPPLIED MAY NOT BE MADE WITHOUT EXPRESS WRITTEN PERMISSION OF COOPER INTERCONNECT. THIS DOCUMENT IS TO BE RETURNED TO COOPER INDUSTRIES, INC. UPON REQUEST AND IN ALL EVENTS UPON COMPLETION OF THE PURPOSE FOR WHICH IT IS LOANED.	SIMILAR TO/REPLACES	DR. BY: B. MULLIGAN	SCALE: N/A
TOLERANCES UNLESS OTHERWISE SPECIFIED DECIMAL: .X ±.03 .XX ±.015 .XXX ±.005 ANGLES ± 1/2° FRACTIONS ± 1/64"	DRAWING SIZE A	DATE: 10/20/10	DWG. NO. E0200-S	OF 2
	ACAD DIR=CUST DWG	ACAD FILE=E0200-S		